

TAU II

Handheld T1/E1 Troubleshooting Tool

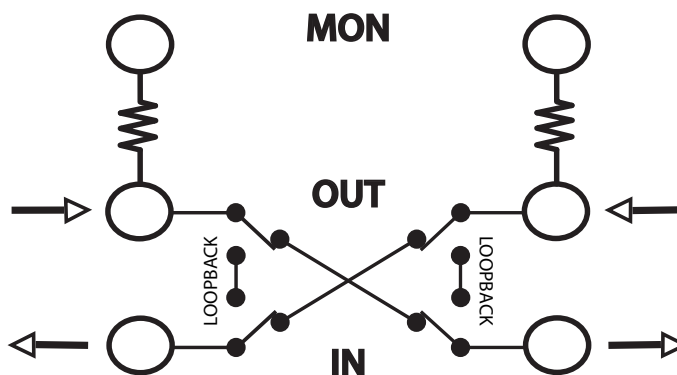
TAU II provides the test access capability of a cross-connect panel (DSX), in a small, convenient, handheld package. It saves time often wasted while deciphering test connections on network equipment and simplifies the patch cable selection required for maintenance and installation.

TAU II provides a complete set of MONITOR, IN and OUT bantam jacks for both circuit directions from the test point. The IN and OUT jacks provide breaking contacts to allow a test device to inject or receive a signal from either direction on the circuit.

The MONITOR jacks provide isolated access to received signals, without disruption, on a live circuit.

In addition, TAU II provides simple switches to loop-back the circuit in either direction with the MONITOR jack still functioning on the circuit in loop-back.

TAU II slips easily into a tool kit and conveniently connects into the circuit using RJ-48 ports.



SPECIFICATIONS:

- Insertion Loss: Less than 0.2 dB
- Connectors: RJ 48 female (Customer, Network)
Bantam jack (MON, IN, OUT)
- Size: 4.5"L x 2.6"W x 1.3"H
(114mm L x 67mm W x 32mm H)
- Weight: 4.2 oz. (124 grams)



Made in USA